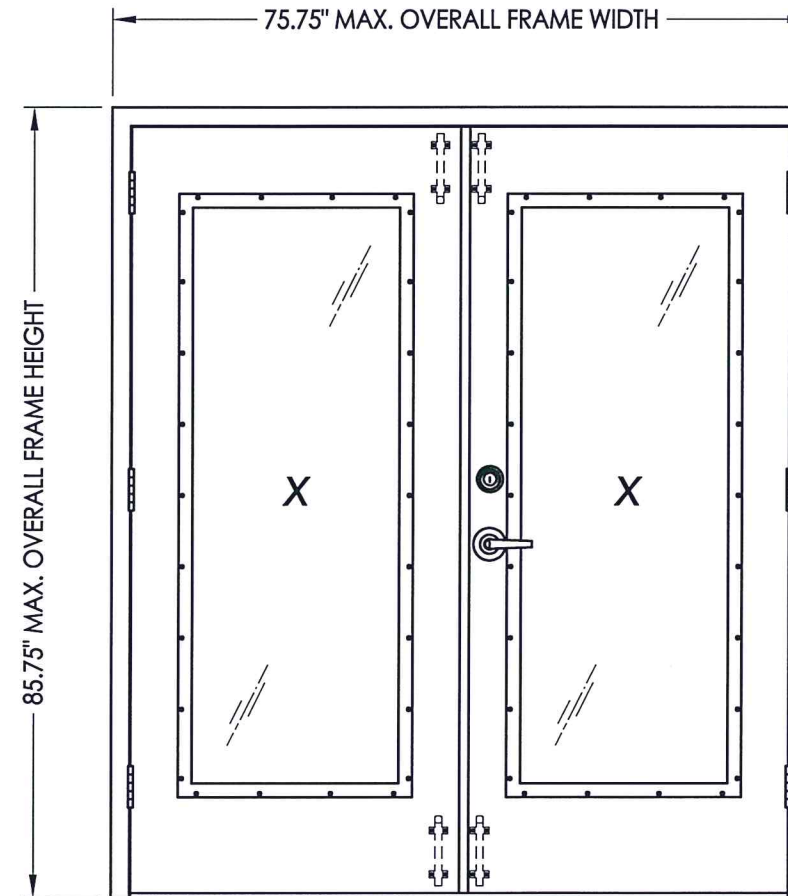


"D" SERIES COMMERCIAL STEEL DOOR OUTSWING "NON-IMPACT"

GENERAL NOTES

1. This product has been evaluated and is in compliance with the 7th Edition (2020) Florida Building Code (FBC) structural requirements excluding the "High Velocity Hurricane Zone" (HVHZ).
2. Product anchors shall be as listed and spaced as shown on details. Anchor embedment to base material shall be beyond wall dressing or stucco.
3. When used in areas requiring wind borne debris protection this product is required to be protected with an impact resistant covering that complies with FBC Section 1609.1.2.
4. Site conditions that deviate from the details of this drawing require further engineering analysis by a licensed engineer or registered architect.
5. The "D" door achieves a Class 1 stiffness classification per Section 8.2.2 of ANSI A250.13 (based on opaque door).

TABLE OF CONTENTS	
SHEET #	DESCRIPTION
1	Typical elevation, design pressures & general notes
2	Door panel details
3	Horizontal & vertical cross sections
4	Anchoring details
5	Components
6	Bill of materials, glazing detail & components



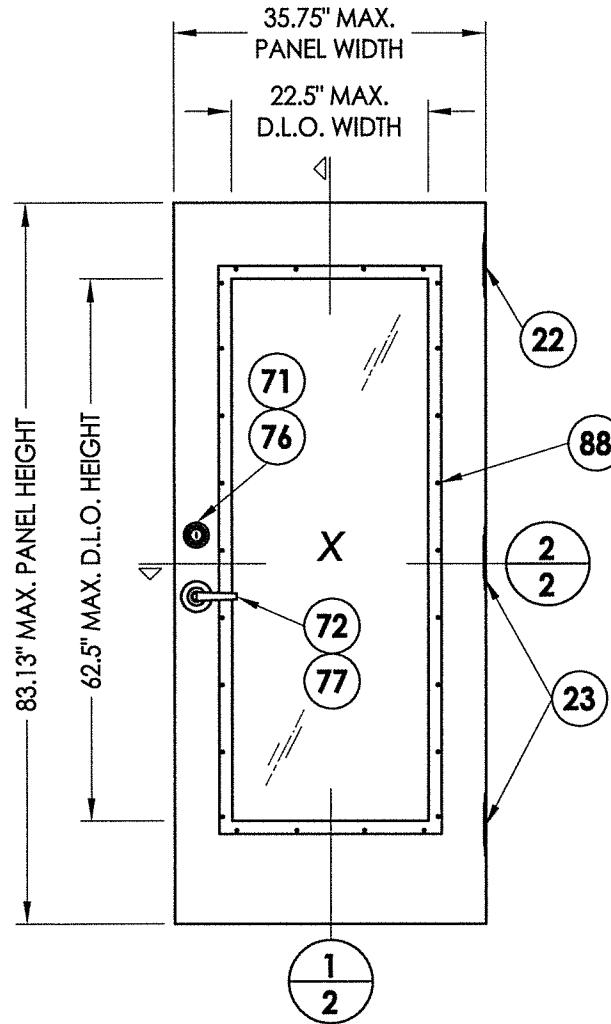
OVERALL FRAME DIMENSION	OVERALL D.L.O. DIMENSION	DESIGN PRESSURE (PSF)	
		POSITIVE	NEGATIVE
75.75" x 85.75"	22.5" x 62.5"	+65.0	-70.0

November 15, 2022
 Documents Prepared By:
 Lyndon F. Schmidt
 P.E. No. 43409

RW
 BUILDING CONSULTANTS, INC.
 P.O. Box 230, Valrico, FL 33595
 Phone No.: 813.659.9197
 FBPE Registry No. 9813

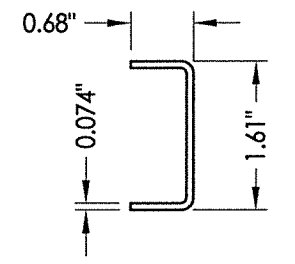
PRODUCT: PREMIER PRODUCTS, INC. "D" STEEL DOOR	PART OR ASSEMBLY: TYPICAL ELEVATION, DESIGN PRESSURES & GENERAL NOTES
REVISIONS	NO. DATE BY
DATE: 11/10/22 SCALE: N.T.S. DWG. BY: LFS CHK. BY: RW DRAWING NO.: FL-41788.3 SHEET 1 OF 6	

Z:\Clients\Premier Products PERMANENTA - Florida Product Approvals\FL-41788\C - Drawings\FL-41788 (2020)\FL-41788.1-4.dwg

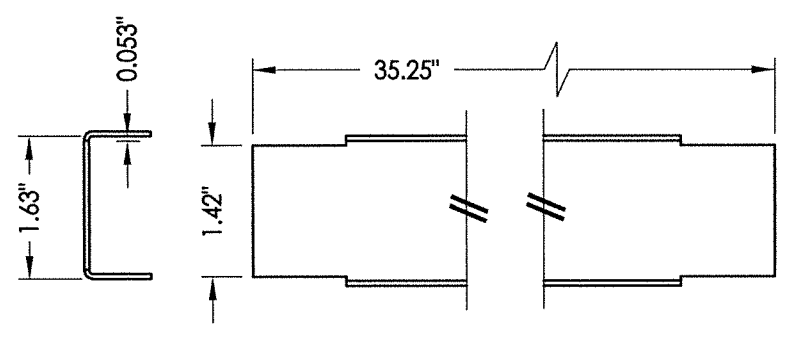


1 "D" STEEL DOOR PANEL

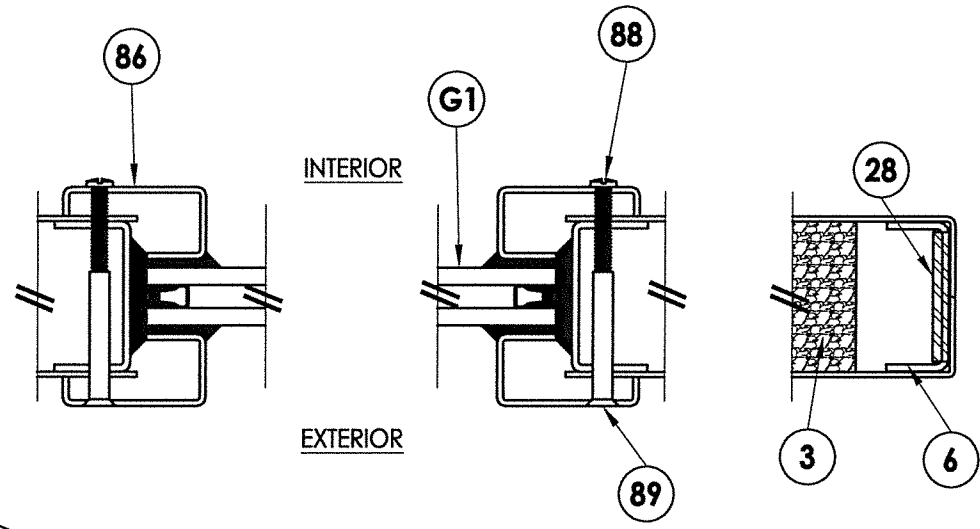
Glass stop retaining screws
2\"/>



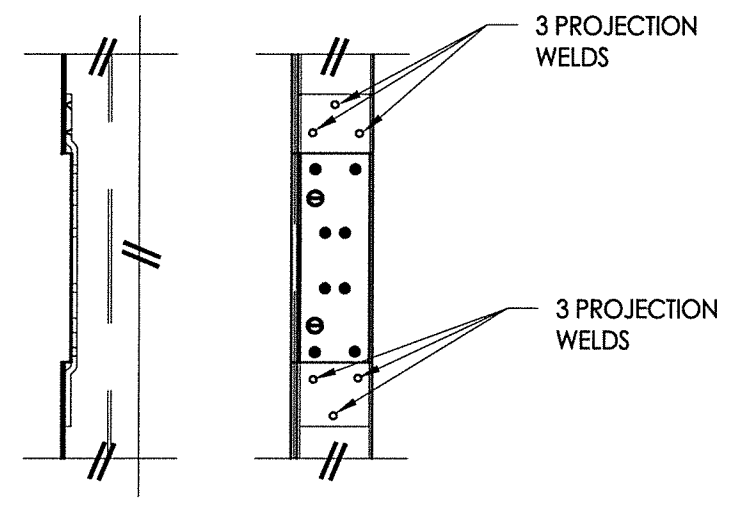
6 DOOR STILE EDGE Reinforcement



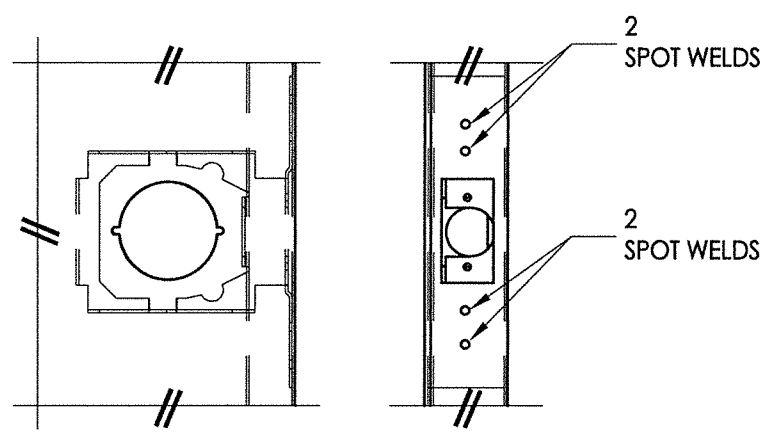
4 DOOR TOP & BOTTOM CLOSER



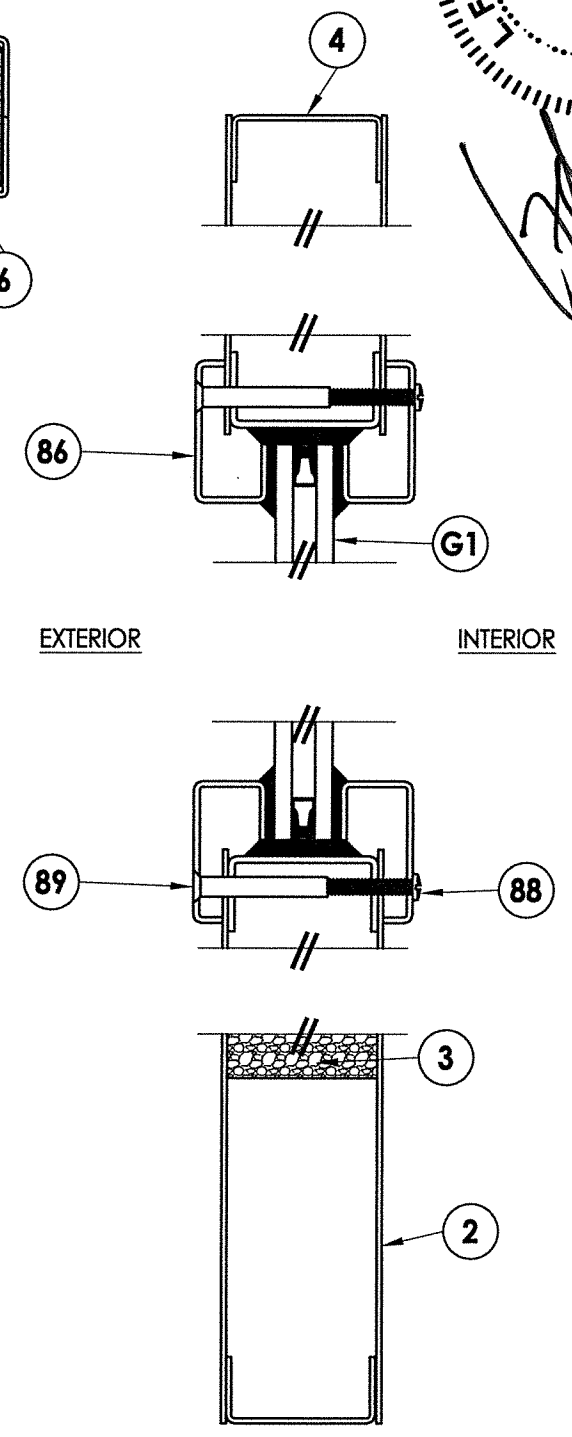
2 HORIZONTAL CROSS SECTION



23 DOOR HINGE REINFORCEMENT



5 LOCK BOX REINFORCEMENT



1 VERTICAL CROSS SECTION

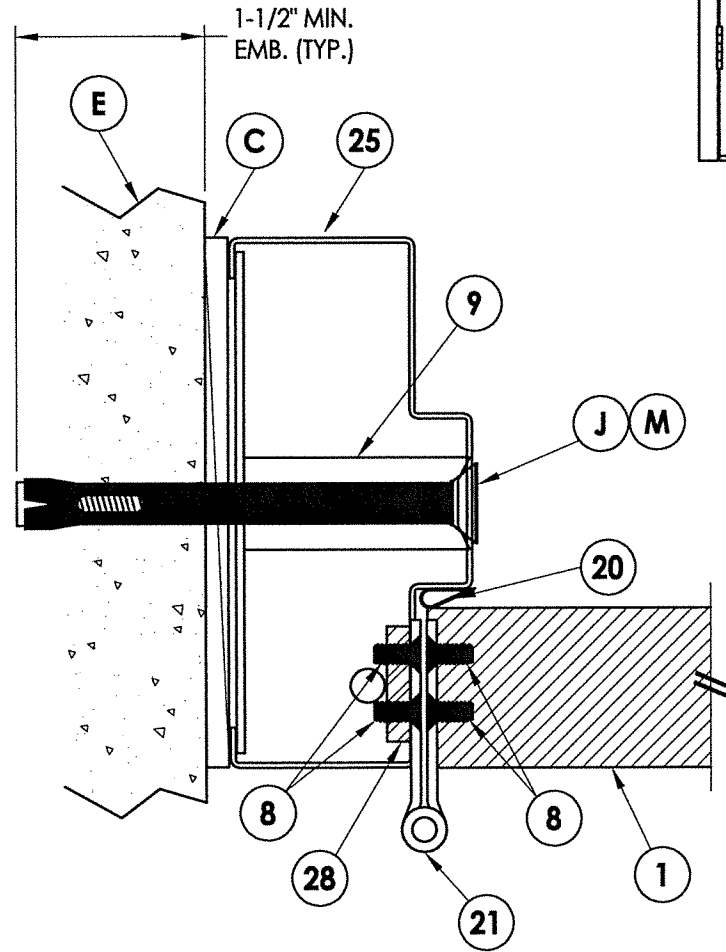
November 15, 2022
 Documents Prepared By:
 Lyndon F. Schmidt
 P.E. No. 43409

R.W.
 BUILDING CONSULTANTS, INC.
 P.O. Box 230, Valrico, FL 33595
 Phone No.: 813.659.9197
 FBPE Registry No. 9813

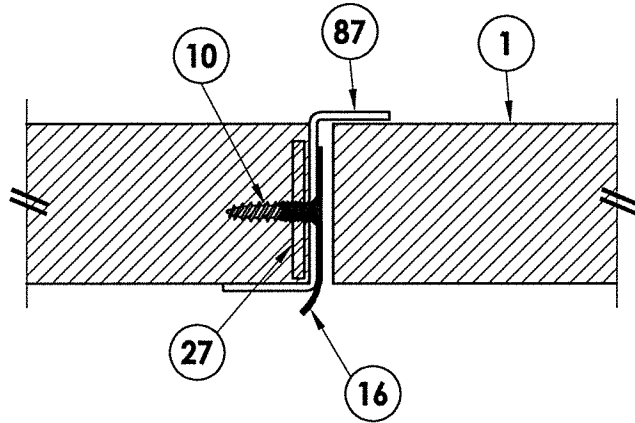
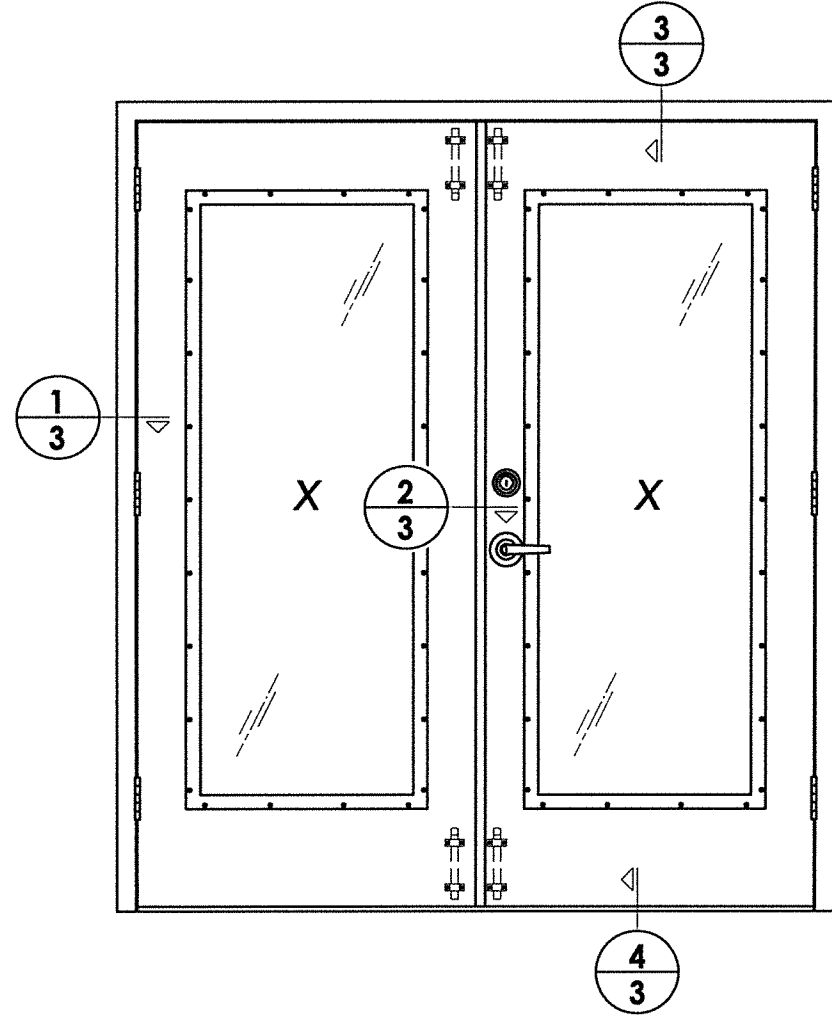
PRODUCT: PREMIER PRODUCTS, INC. "D" STEEL DOOR		PART OR ASSEMBLY: DOOR PANEL DETAILS	
NO.	DATE	BY	REVISIONS
DATE: 11/10/22			
SCALE: N.T.S.			
DWG. BY: LFS			
CHK. BY: RW			
DRAWING NO.: FL-41788.3			
SHEET 2 OF 6			

© 2022 R.W. BUILDING CONSULTANTS INC.

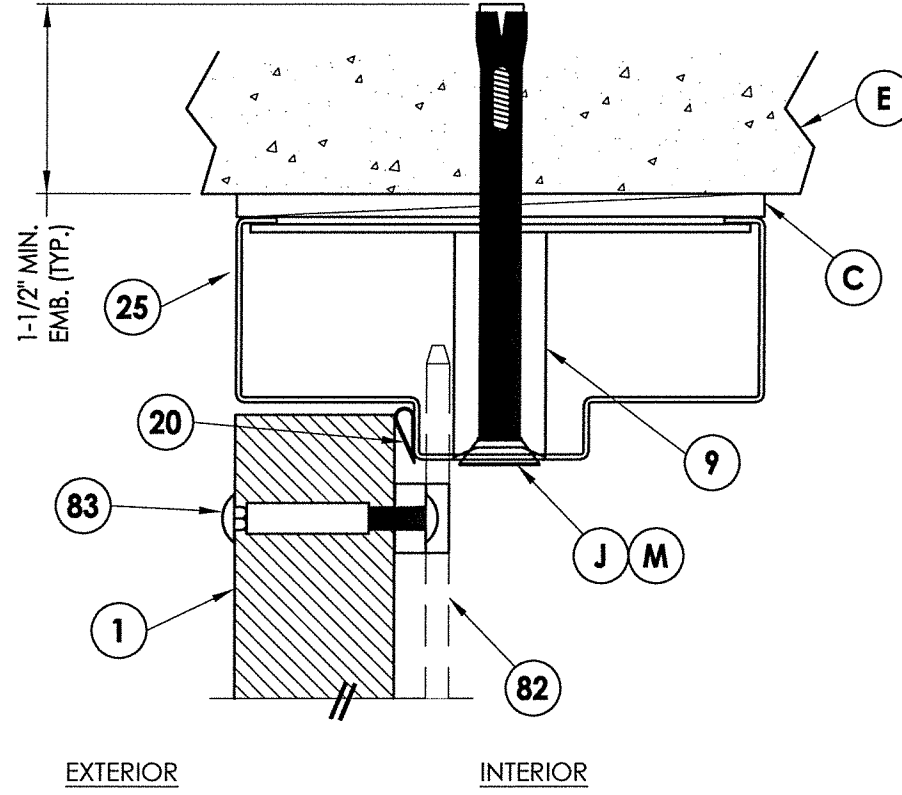
Z:\Clients\Premier Products PERMANENTA - Florida Product Approvals\FL-41788\C - Drawings\FL-41788(2020)\FL-41788.1-4.dwg



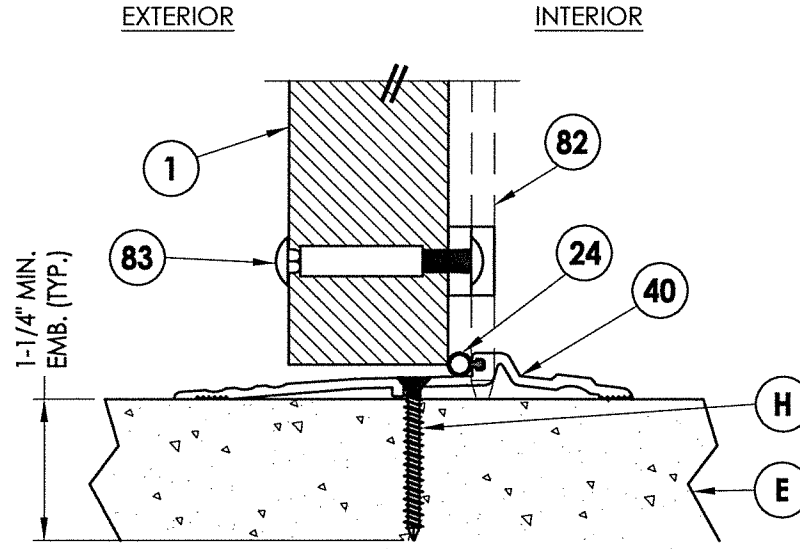
1
3 HORIZONTAL CROSS SECTION



2
3 HORIZONTAL CROSS SECTION



3
3 VERTICAL CROSS SECTION

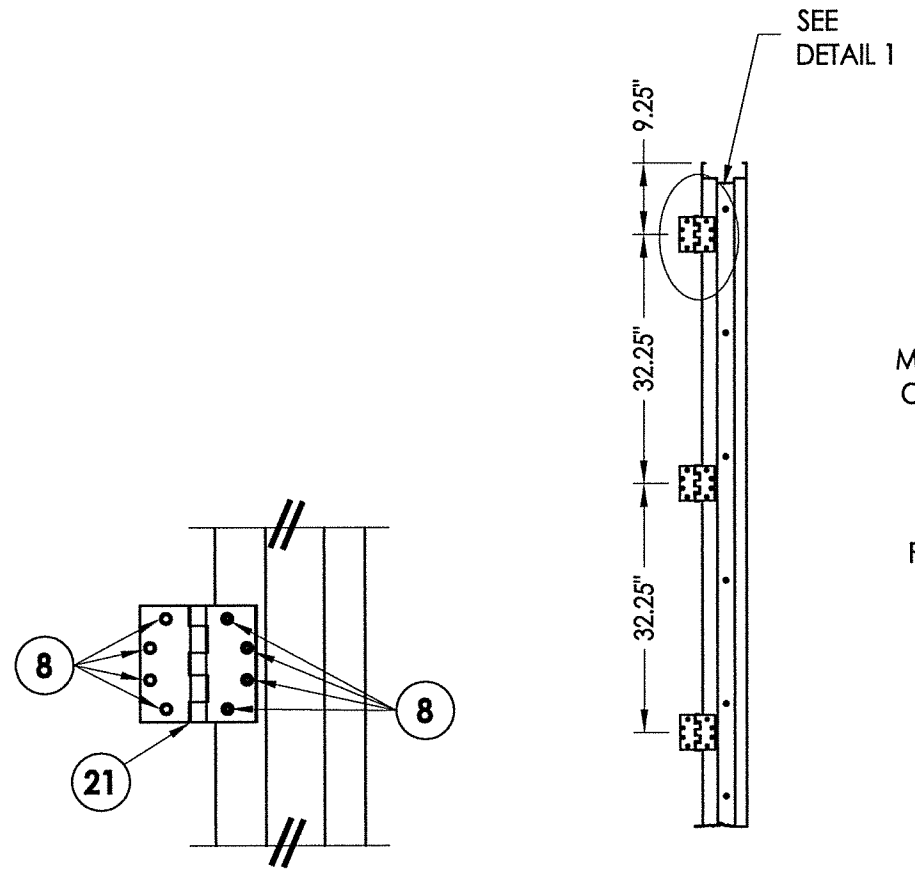


4
3 VERTICAL CROSS SECTION

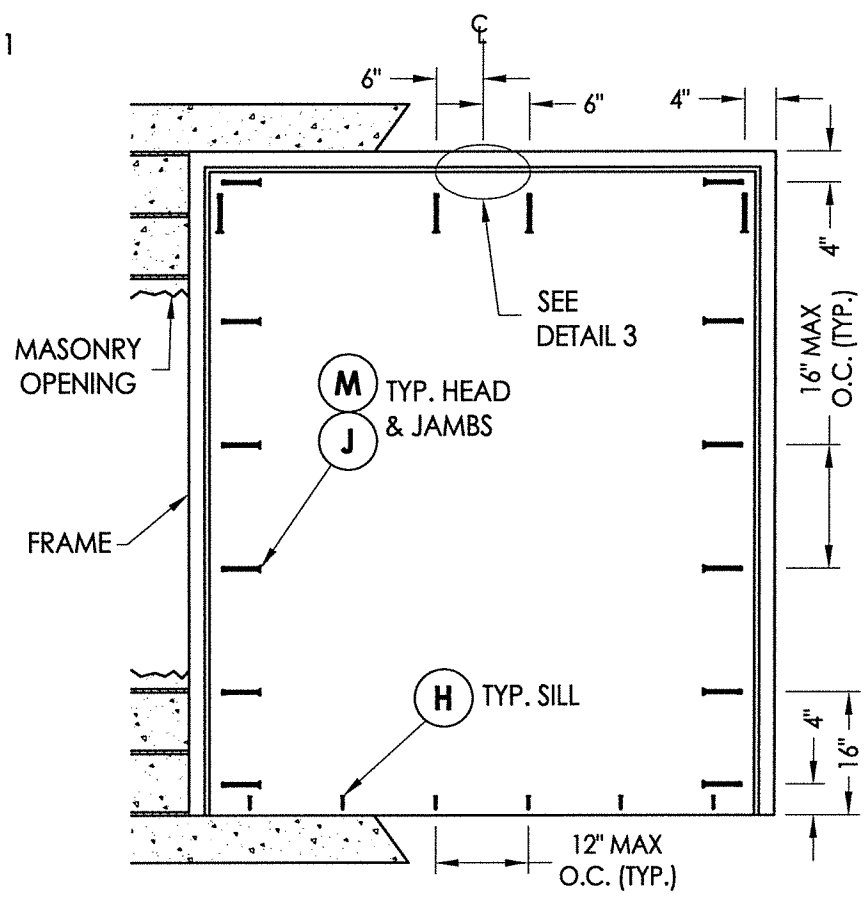
Professional Engineer Seal: F. SCHMIDT, License No. 43409, State of Florida, dated November 15, 2022. Documents Prepared By: Lyndon F. Schmidt, P.E. No. 43409. R.W. BUILDING CONSULTANTS, INC., P.O. Box 230, Valrico, FL 33595, Phone No.: 813.659.9197, FBPE Registry No. 9813.

Table with 4 columns: NO., DATE, REVISIONS, BY. Includes product information: PREMIER PRODUCTS, INC. 'D' STEEL DOOR, PART OR ASSEMBLY: HORIZONTAL & VERTICAL CROSS SECTIONS. Includes date: 11/10/22, scale: N.T.S., dwg. by: LFS, chk. by: RW, drawing no.: FL-41788.3, sheet 3 of 6.

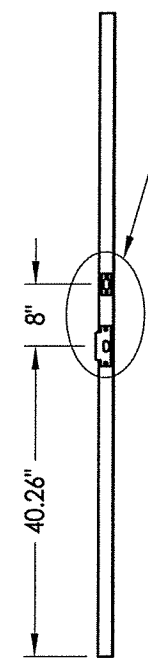
© 2022 R.W. BUILDING CONSULTANTS INC.



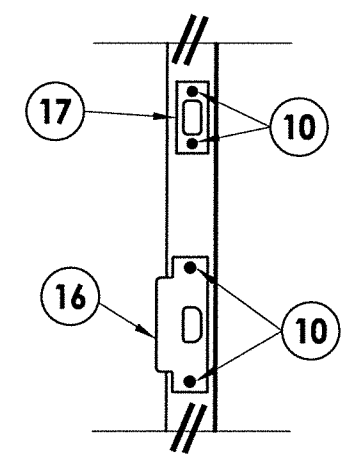
DETAIL 1
HINGE JAMB



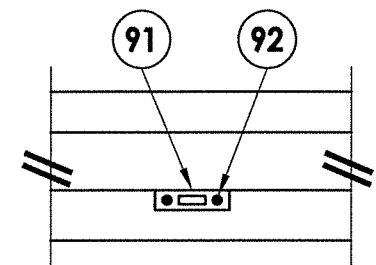
FRAME ANCHORING



STRIKE JAMB



DETAIL 2

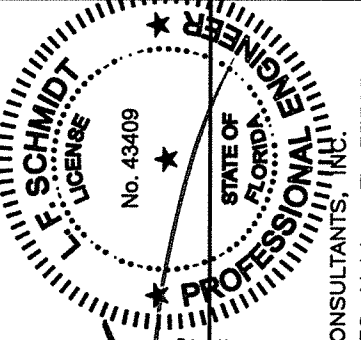


DETAIL 3

ANCHOR NOTES:

1. Substitution of equal concrete screws from a different supplier may have different edge distance and center distance requirements.
2. Concrete screw locations at the corners may be adjusted to maintain the minimum edge distance to mortar joints. If concrete screw locations noted as "MAX. ON CENTER" must be adjusted to maintain the minimum edge distance to mortar joints, additional concrete screws may be required to ensure the maximum on center dimension is not exceeded.
3. Concrete Anchor Table:

ANCHOR TYPE	ANCHOR SIZE	MINIMUM EMBEDMENT	MINIMUM CLEARANCE TO MASONRY EDGE	MINIMUM CLEARANCE TO ADJACENT ANCHOR
ITW TAPCON®	1/4"	1-1/4"	2-1/2"	4"
DYNABOLT SLEEVE ANCHOR	3/8"	1-1/2"	2-1/4"	4-1/2"
POWERS TAPPER	3/8"	1-1/2"	4"	3-3/4"

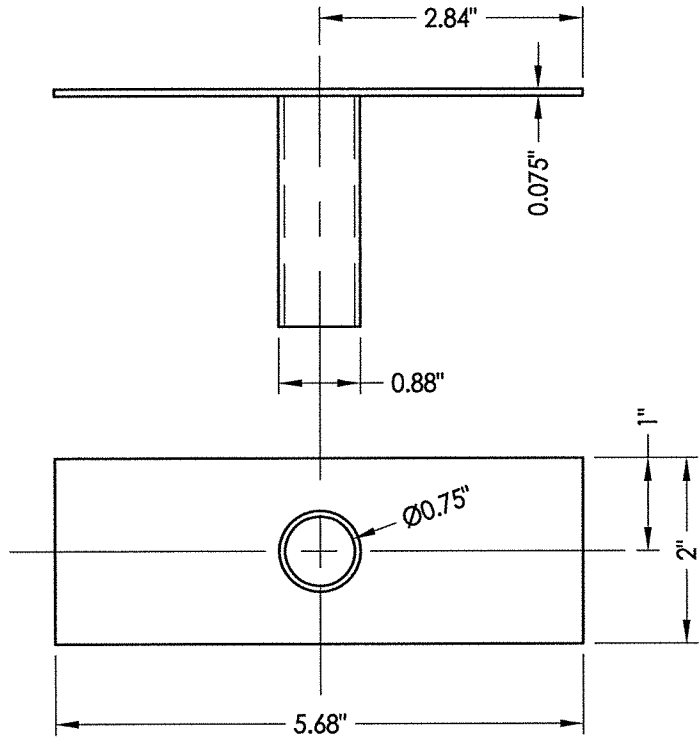


 November 15, 2022

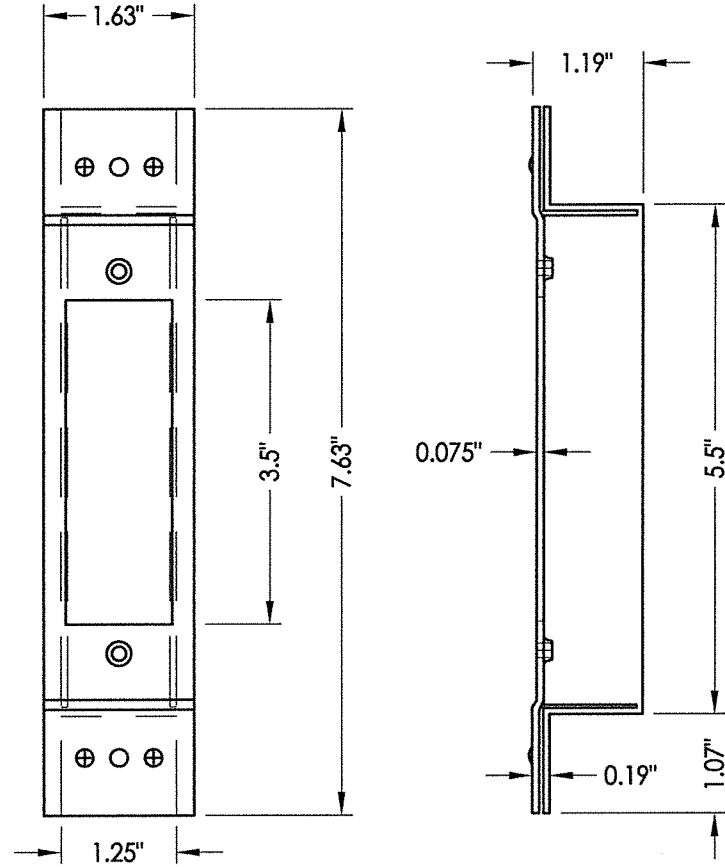
Documents Prepared By:
 Lyndon F. Schmidt
 P.E. No. 43409

RW
 BUILDING CONSULTANTS, INC.
 P.O. Box 230, Valrico, FL 33595
 Phone No.: 813.659.9197
 FBPE Registry No. 9813

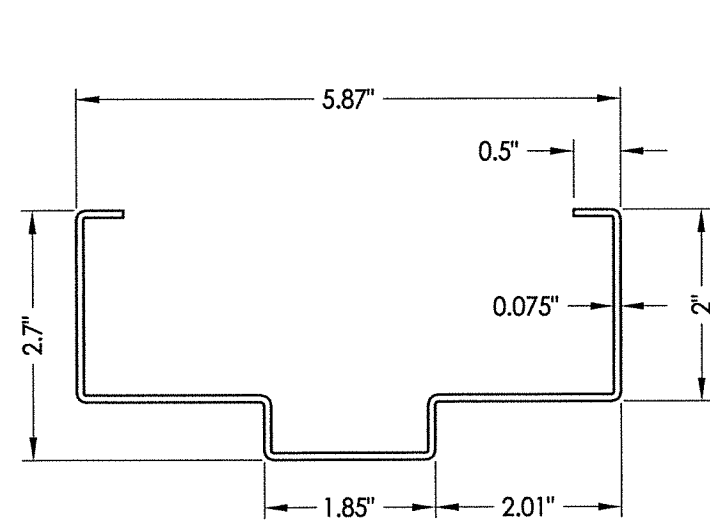
PRODUCT: PREMIER PRODUCTS, INC. "D" STEEL DOOR	PART OR ASSEMBLY: ANCHORING DETAILS							
REVISIONS								
						NO.	DATE	BY
DATE: 11/10/22								
SCALE: N.T.S.								
DWG. BY: LFS								
CHK. BY: RW								
DRAWING NO.: FL-41788.3								
SHEET 4 OF 6								



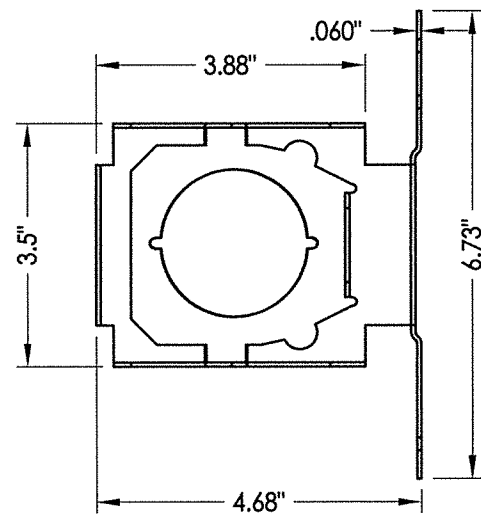
9 TUBE ANCHOR



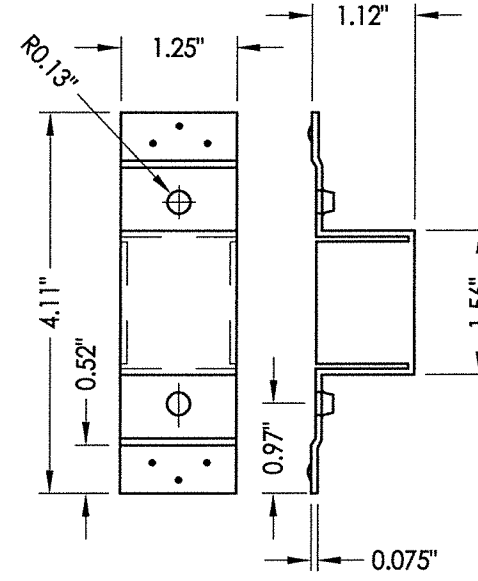
27 LATCH STRIKE REINFORCEMENT



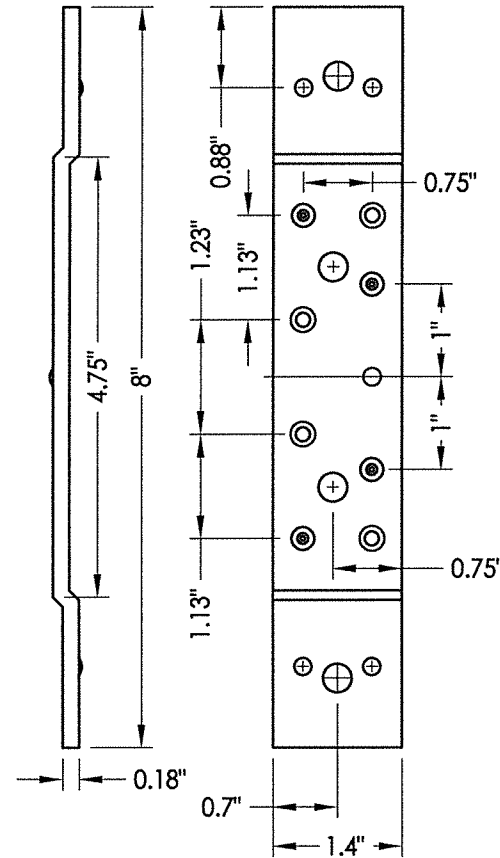
25 HOLLOW METAL FRAME



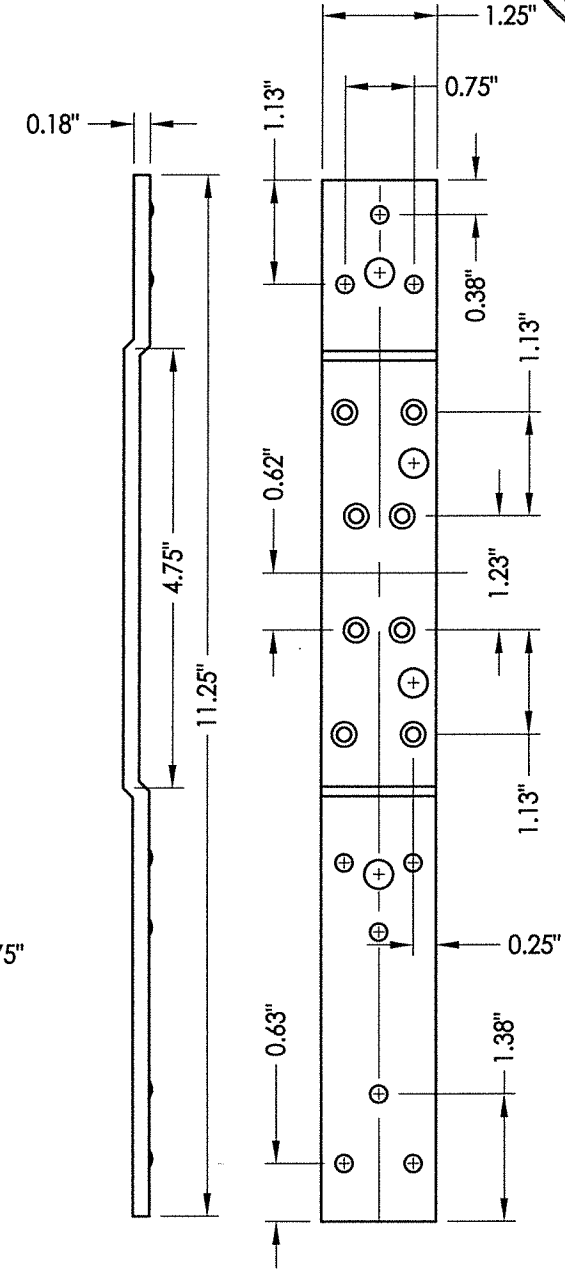
5 LOCK BOX REINFORCEMENT



19 DEADBOLT STRIKE REINFORCEMENT



23 STANDARD (SHORT) DOOR HINGE
Reinforcement middle and bottom hinge



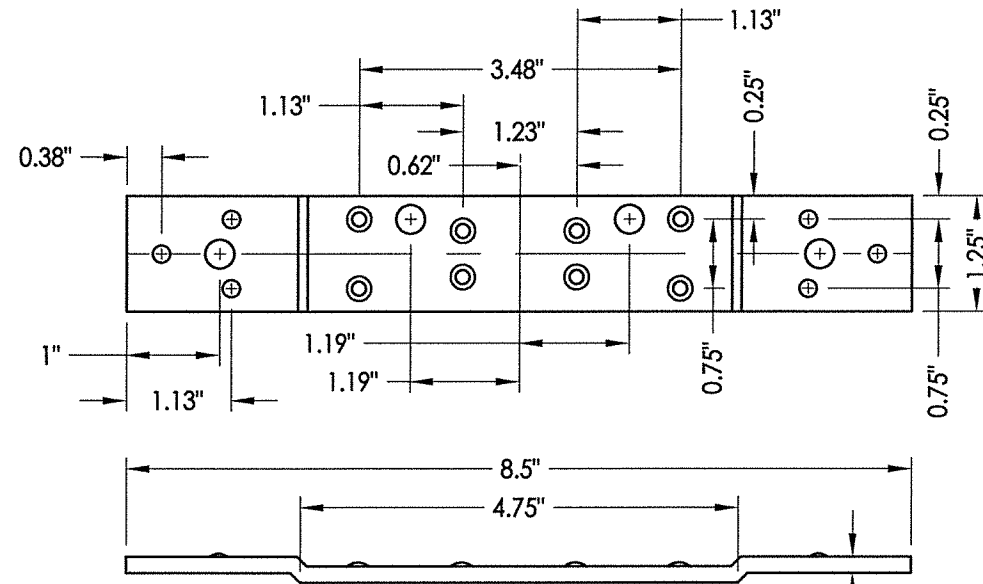
22 STANDARD (LONG) DOOR HINGE
Reinforcement top hinge

L.F. Schmidt
 November 15, 2022
 Documents Prepared By:
 Lyndon F. Schmidt
 P.E. No. 43409

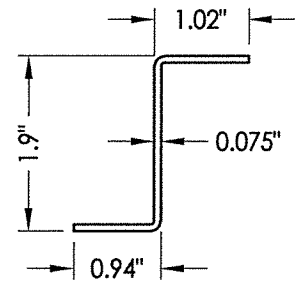
R.W. BUILDING CONSULTANTS, INC.
 P.O. Box 230, Valrico, FL 33595
 Phone No.: 813.659.9197
 FBPE Registry No. 9813

PRODUCT: PREMIER PRODUCTS, INC. "D" STEEL DOOR	
PART OR ASSEMBLY: COMPONENTS	
REVISIONS	NO. DATE BY
DATE: 11/10/22 SCALE: N.T.S. DWG. BY: LFS CHK. BY: RW DRAWING NO.: FL-41788.3 SHEET 5 OF 6	

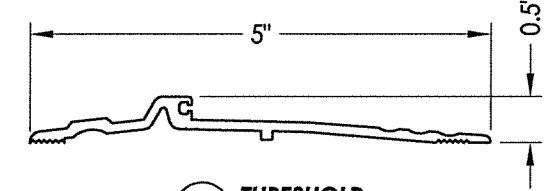
BILL OF MATERIALS		
ITEM	DESCRIPTION	MATERIAL
C	MAX. 1/4" SHIM SPACE	-
E	MASONRY - 3,000 PSI MIN. CONCRETE CONFORMING TO ACI 301 OR HOLLOW BLOCK CONFORMING TO ASTM C90	CONCRETE
H	1/4" x 1-3/4" PFH DeWALT OR ITW CONCRETE SCREW	STEEL
J	3/8" X 5" PFH ITW DYNABOLT SLEEVE ANCHOR	STEEL
M	3/8" X 5" TAPPER CONCRETE SCREW BY POWERS FASTENERS	STEEL
1	"D" STEEL DOOR PANEL	-
2	DOOR SKIN - 16GA (0.060" THK. STEEL, Fy = 40,317 PSI MIN.)	STEEL
3	FOAM 1.0 PCF MIN. DENSITY	POLYSTYRENE
4	DOOR TOP & BOTTOM CLOSER	STEEL
5	LOCK BOX REINFORCEMENT	STEEL
6	DOOR STILE EDGE REINFORCEMENT (D DOOR)	STEEL
8	#12-24 x 1/2" SELF TAPPER	STEEL
9	TUBE ANCHOR	STEEL
10	#12-24 X 1" COMBINATION MACHINE / WOOD SCREW	STEEL
16	ANSI LATCH STRIKE	STEEL
17	DEADBOLT STRIKE	STEEL
19	DEADBOLT STRIKE REINFORCEMENT	STEEL
20	WEATHERSTRIP	NEOPRENE
21	4-1/2" X 4-1/2" X 0.125" TEMPLATE HINGE	STEEL
22	STANDARD (LONG) DOOR HINGE TOP HINGE REINFORCEMENT	STEEL
23	STANDARD (SHORT) DOOR HINGE MIDDLE BOTTOM REINFORCEMENT	STEEL
24	WEATHERSTRIP (THRESHOLD)	NEOPRENE
25	FRAME - 14GA (0.075" THK)	STEEL
27	LATCH STRIKE REINFORCEMENT	STEEL
28	FRAME HINGE REINFORCEMENT	STEEL
40	THRESHOLD NATIONAL GUARD PRODUCTS, INC. #896	ALUMINUM
71	DESIGN HARDWARE D1-S SERIES DEADBOLT	STEEL
72	DESIGN HARDWARE "Z" SERIES ENTRY	STEEL
76	DESIGN HARDWARE D2-S SERIES DEADBOLT	STEEL
77	DESIGN HARDWARE "X" SERIES ENTRY	STEEL
81	DOW 995 STRUCTURAL SILICONE	SILICONE
82	SURFACE BOLT	STEEL
83	1/4" X 2-1/2" PPH MS	STEEL
86	LITE FRAME BY AIR LOUVERS #1500-AJ-2464	STEEL
87	Z ASTRAGAL	STEEL
88	#8 X 1-1/2" PPH MS	STEEL
89	SCREW COVER	STEEL
91	SURFACE BOLT PLATE	STEEL
92	#8 X 1-1/4" PPH SELF TAPPER	STEEL
93	GLASS SPACER	ALUMINUM



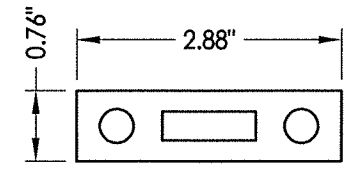
28 FRAME HINGE Reinforcement



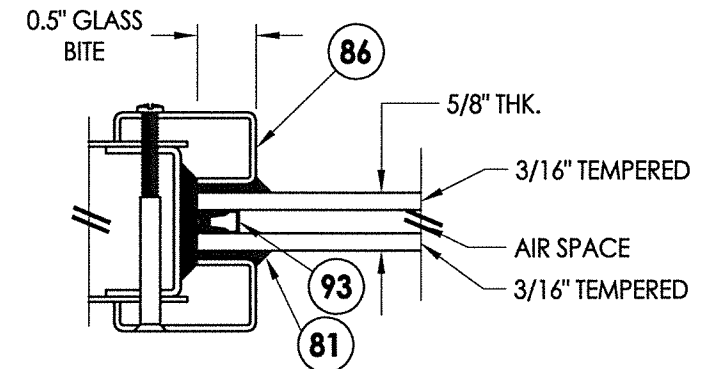
87 Z ASTRAGAL



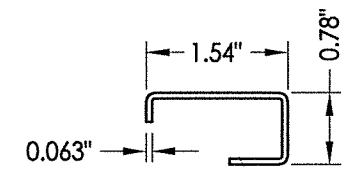
40 THRESHOLD



91 SURFACE BOLT PLATE



G1 GLAZING DETAIL



86 GLASS STOP

L. F. SCHMIDT
No. 43409
STATE OF FLORIDA
PROFESSIONAL ENGINEER

November 15, 2022
Documents Prepared By:
Lyndon F. Schmidt
P.E. No. 43409

RW
BUILDING CONSULTANTS, INC.
P.O. Box 230, Valrico, FL 33595
Phone No.: 813.659.9197
FBPE Registry No. 9813

PRODUCT: PREMIER PRODUCTS, INC. "D" STEEL DOOR	PART OR ASSEMBLY: BILL OF MATERIALS, GLAZING DETAIL & COMPONENTS
--	--

NO.	DATE	BY	REVISIONS

DATE: 11/10/22
SCALE: N.T.S.
DWG. BY: LFS
CHK. BY: RW
DRAWING NO.: FL-41788.3
SHEET 6 OF 6